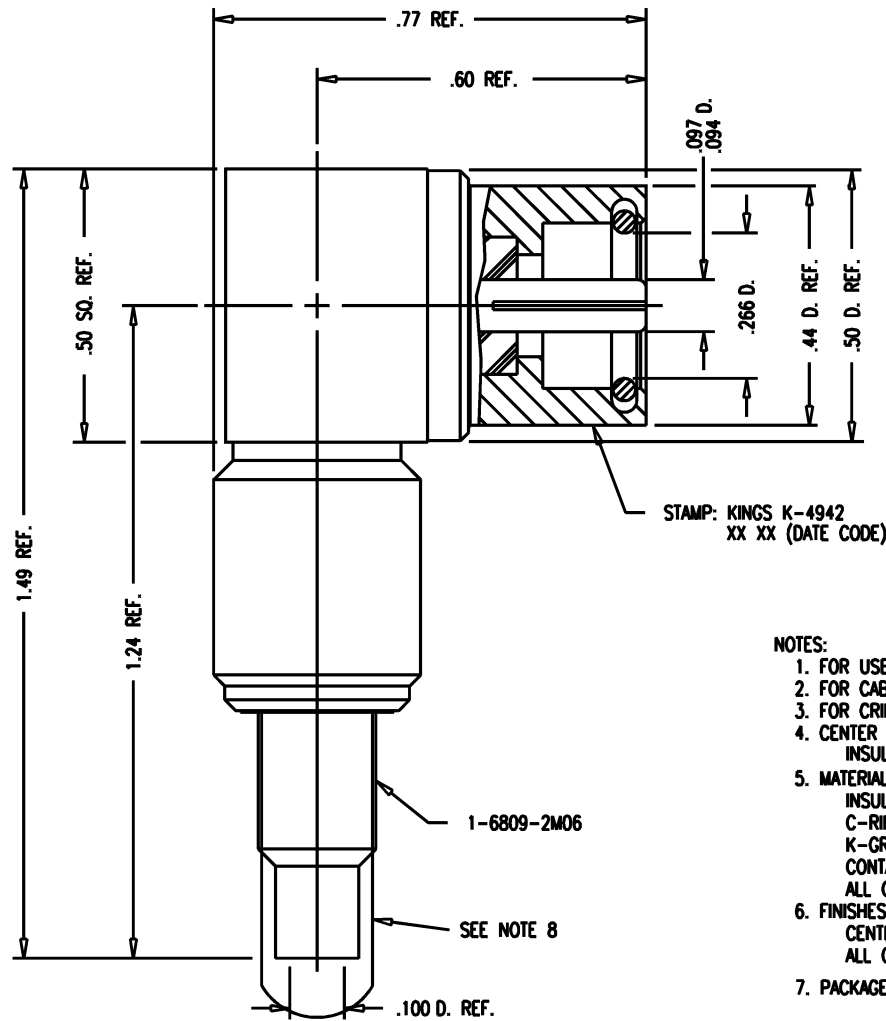


|          |        |           |
|----------|--------|-----------|
| DASH NO. | M CODE | MADE FROM |
|----------|--------|-----------|

# GSD



STAMP: KINGS K-4942  
XX XX (DATE CODE)

**NOTES:**

- FOR USE WITH BOEING BMS13-48 CABLE.
- FOR CABLING INSTRUCTIONS SEE 3-558.
- FOR CRIMPING USE DIE KTH-2223.
- CENTER CONTACT, 1-570-24MA9, AND INSULATOR, 1-1689-6M99 SUPPLIED UNASSEMBLED.
- MATERIALS:  
INSULATORS: TEFLON, ASTM-D-4894  
C-RING: PHOSPHOR BRONZE, QQ-B-750  
K-GRIP SLEEVE: COM. BRONZE TUBE, ALLOY 220  
CONTACT F: BER. COPPER, ASTM-B-196  
ALL OTHER METAL PARTS: BRASS, ASTM-B16
- FINISHES:  
CENTER CONTACTS: HARD GOLD PLATE, PER MIL-G-45204  
ALL OTHER METAL PARTS: KINGS TARNISH RESISTANT FINISH (TR-5)
- PACKAGE MARKED: KINGS K-4942  
XX XX (DATE CODE)
- PROTECTIVE CAP TO BE SUPPLIED ASSEMBLED.

K-4942

**REVISIONS**

| ISSUE | CHANGES                   |
|-------|---------------------------|
| 0     | ER 36815<br>CCT 02/09/96  |
| 1     | CN 36910 B<br>AR 03/29/96 |
| 2     | CN 38989 E<br>DCT 1/8/4   |

SCALE 4:1

APPROX SURFACE AREA

WAS: E-17927

USED ON

REF: BOEING

PLUG, ANGLE, SPECIAL

|            |               |
|------------|---------------|
| DRAWN CCT  | DATE 02/09/96 |
| DESIGN CCT | DATE 02/09/96 |
| APPR.      | DATE          |

**KINGS**  
ELECTRONICS CO., INC.  
ROCK HILL, SOUTH CAROLINA 29730

K-4942

# GSD